

Cell Phone Locker Pedestal

For Select 19000 Series Surface Mounted Cell Phone Lockers

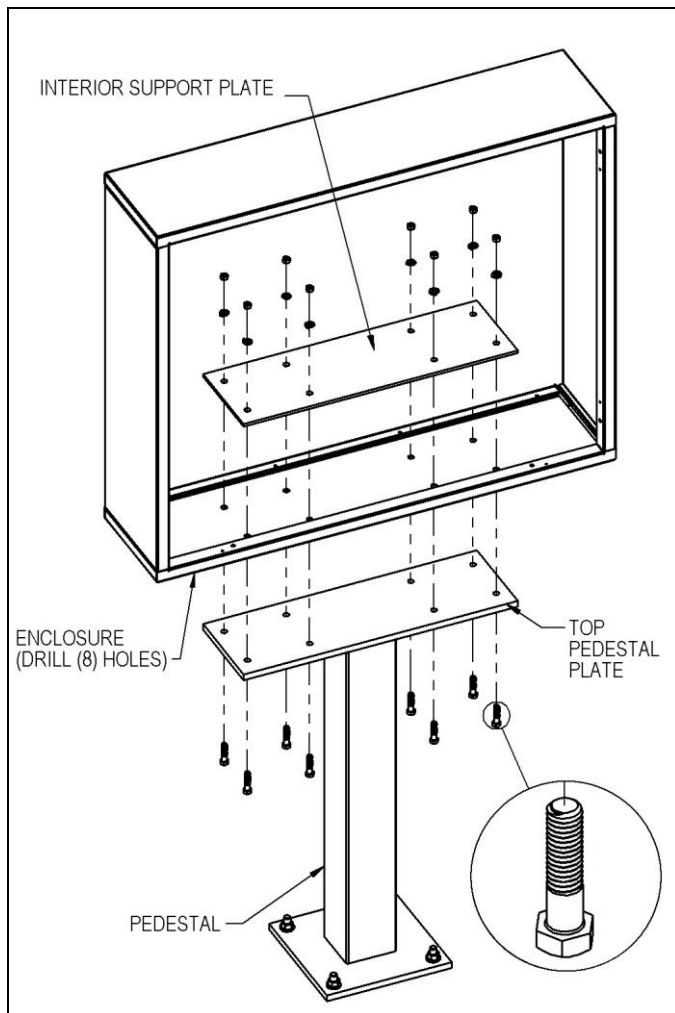
Installation Instructions

Installing the Cell Phone Locker on the Pedestal

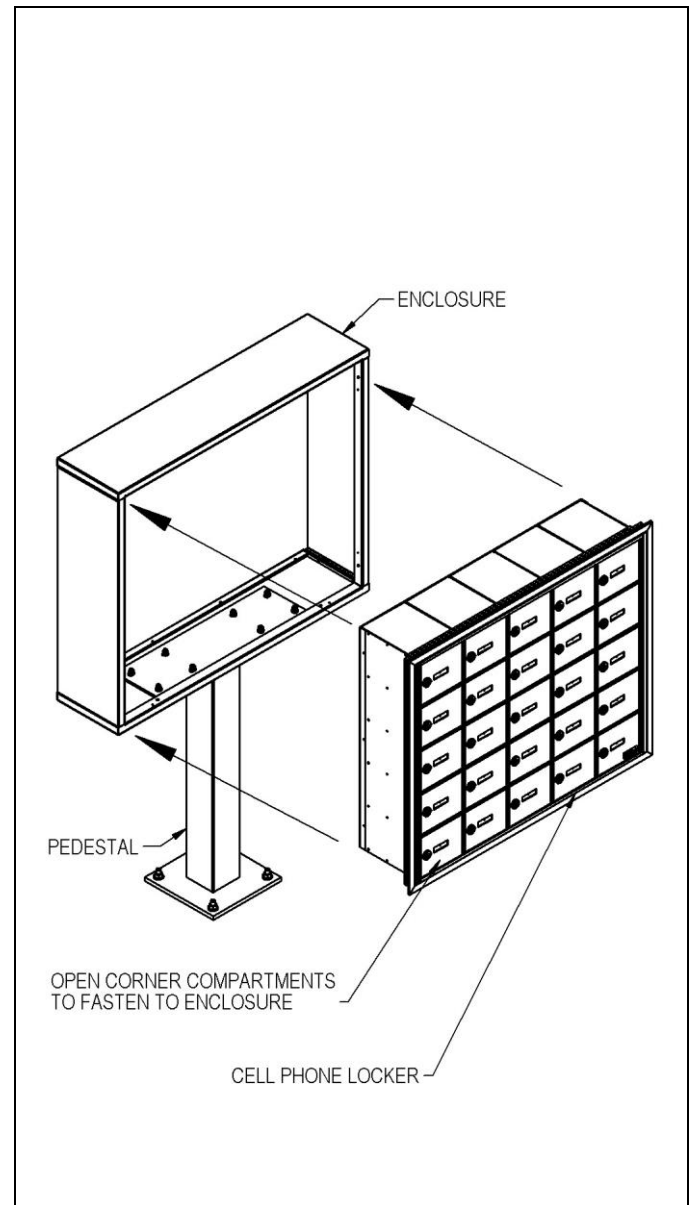
Step 1: Install the pedestal to the mounting surface. Use 1/2 in. diameter anchors (not provided).

Step 2: Remove the cell phone locker from the enclosure. Drill eight (8) 7/16" diameter holes through the bottom of the enclosure. Match the hole locations on the top pedestal plate.

Step 3: Position the enclosure on the top pedestal plate then position the interior support plate inside the enclosure. Assemble to the pedestal by installing 3/8"-16 x 1-1/2" long hex bolts (provided) through the top pedestal plate, through the bottom of the enclosure and through the interior support plate. Fasten with 3/8" lock washers and hex nuts (provided).



Step 4: Install the cell phone locker into the enclosure by sliding it into the enclosure until its front peripheral flange is flush against the front of the enclosure. Open the four corner compartments of the cell phone locker. Install #8 x 1-1/4" long screws (provided) through the top and bottom of the locker unit into the enclosure. Close the compartment doors.



SALSBURY INDUSTRIES

18300 Central Avenue, Carson, CA 90746-4008

Phone: 1-800-624-5269

Int'l Phone: 323-846-6700

Fax: 1-800-624-5299

Int'l Fax: 323-846-6800

www.lockers.com

www.mailboxes.com

engineering@mailboxes.com

engineering@lockers.com