

ACCESS DOOR ARROW LOCK

3700 Series Horizontal Mailboxes

Installation Instructions

This installation instruction document is for installing the USPS Arrow lock in the access door on the 3700 series Horizontal Mailboxes.

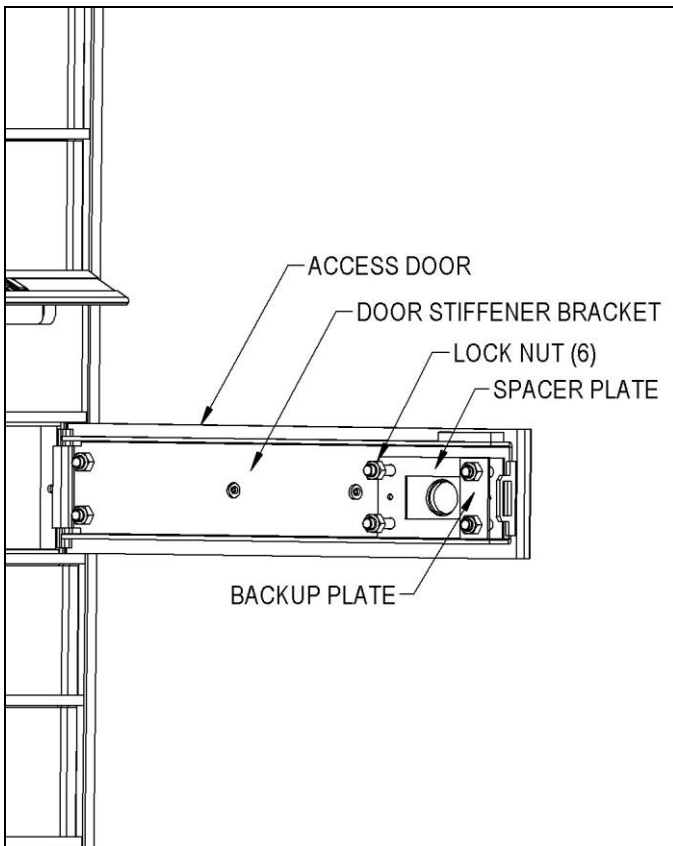
Note

The mailbox is shipped without a USPS Arrow lock installed in the access door. This lock must be requested from the USPS and installed by USPS personnel. Call your local post office to request this service.

Installation

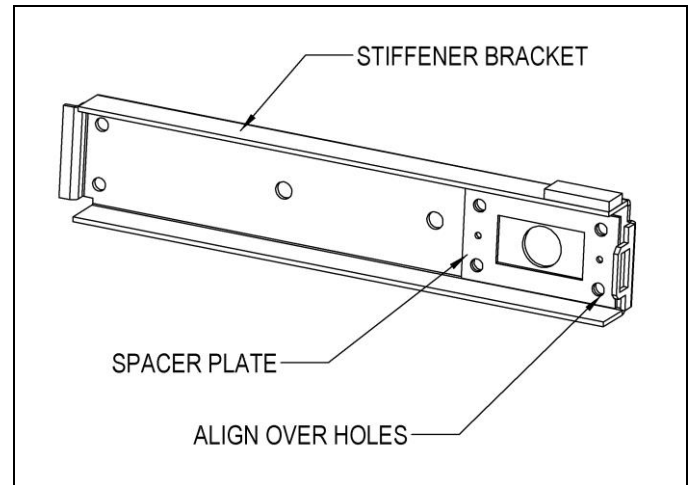
Step 1

Open the access door. Remove six (6) preinstalled locknuts and remove the backup plate, the spacer plate and the door stiffener bracket.



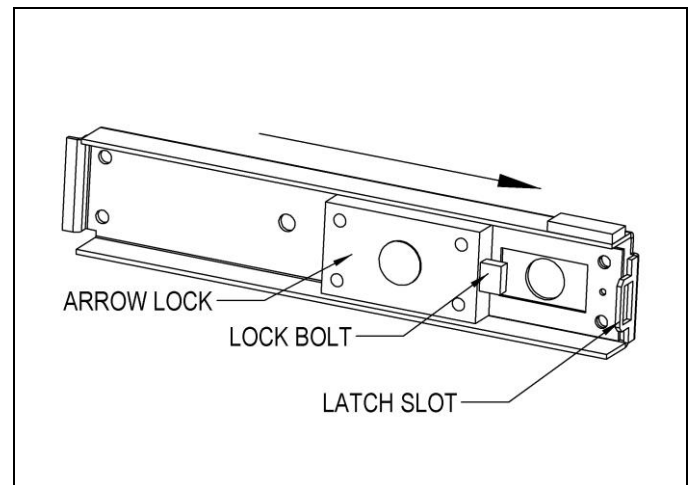
Step 2

Install the spacer plate against the stiffener bracket aligning its four (4) holes with the four (4) holes on the stiffener bracket.



Step 3

Install the Arrow lock onto the stiffener bracket by sliding the lock bolt through the latch slot. Align the four (4) holes of the Arrow lock with the four (4) holes of the spacer plate and stiffener bracket.

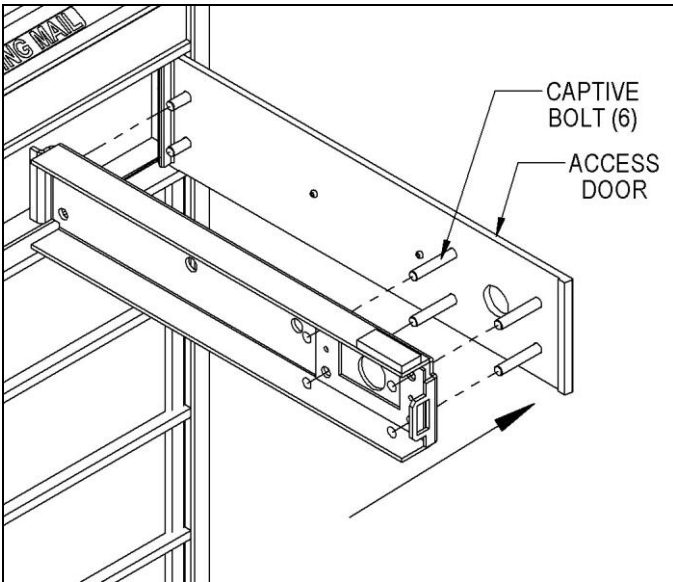


SALSBERY INDUSTRIES

18300 Central Avenue, Carson, CA 90746-4008
Phone: 1-800-624-5269 Int'l Phone: 323-846-6700
Fax: 1-800-624-5299 Int'l Fax: 323-846-6800
www.mailboxes.com engineering@mailboxes.com

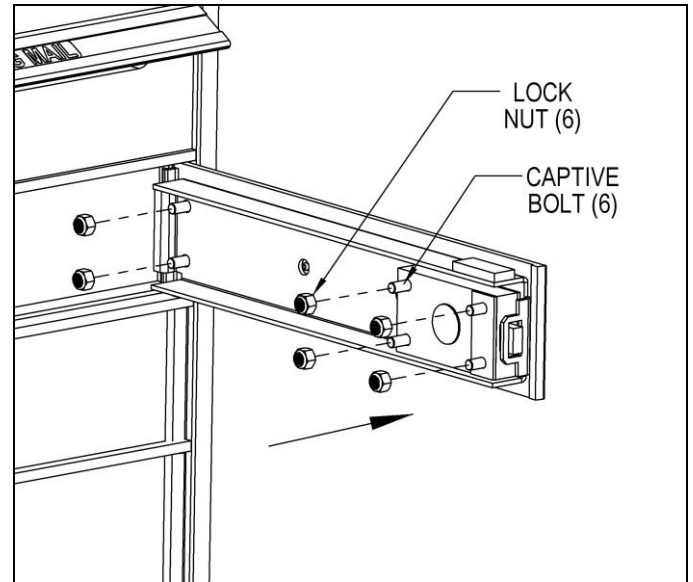
Step 4

Install the stiffener bracket with Arrow lock and spacer plate over the six (6) captive bolts on the access door.



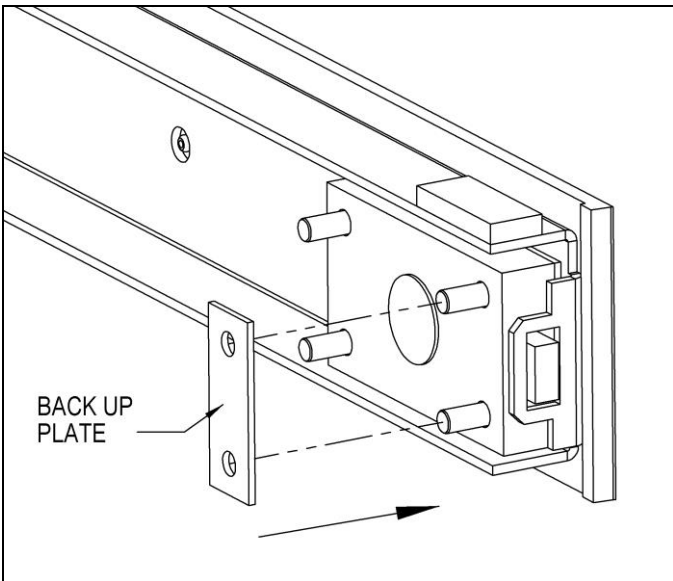
Step 6

Install and tighten the six (6) lock nuts onto the six (6) captive bolts. **DO NOT OVERTIGHTEN THE NUTS.**



Step 5

Install the back-up plate over the back of the Arrow lock.



Step 7

Insert the Arrow lock key into the Arrow lock then retract the lock bolt. Close the access door then lock and unlock the Arrow lock to ensure the lock bolt travels freely. Installation is complete.

SALSBURY INDUSTRIES

18300 Central Avenue, Carson, CA 90746-4008
 Phone: 1-800-624-5269 Int'l Phone: 323-846-6700
 Fax: 1-800-624-5299 Int'l Fax: 323-846-6800
 www.mailboxes.com engineering@mailboxes.com